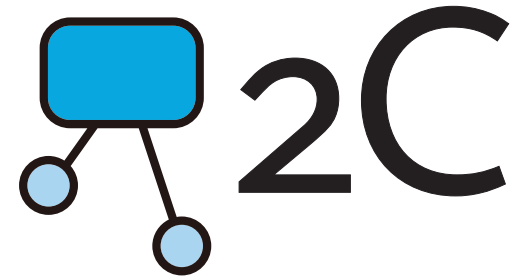


Imported and Distributed in Australia by
 Herma Technologies
 Factory 4A, 6 Albert St
 Preston, VIC 3072

For more information please go to
www.2cdisplays.com.au
 or call 1300 730 025



2C Hide IT
 2C801/2C802
 User Manual

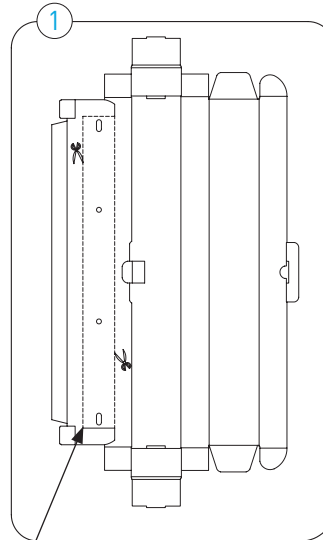
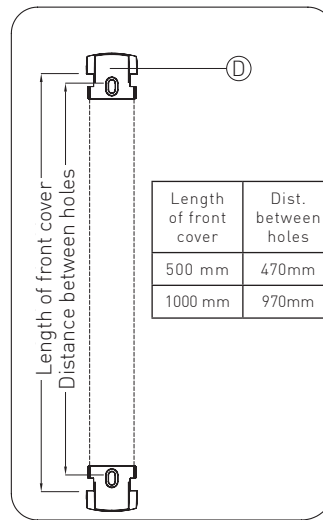
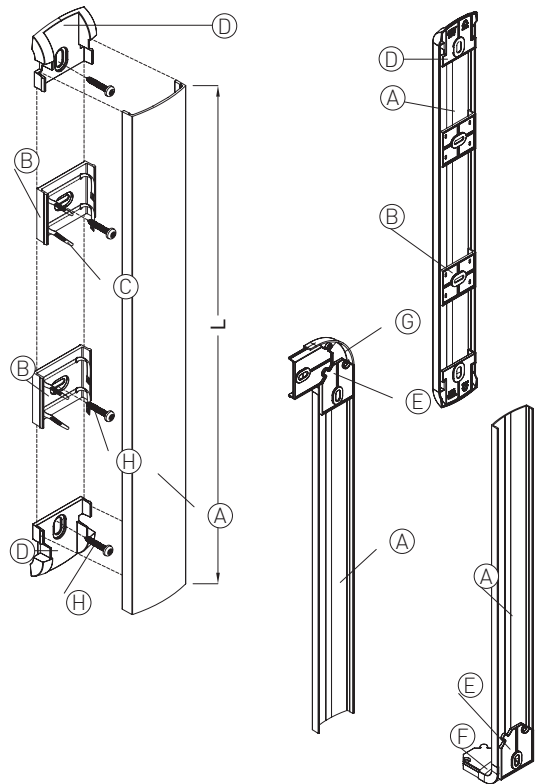
Apr 2009 Version 1

To the owner

Congratulations on purchasing a 2C HidelT.

Contents

- A. Cable profile..... x 2
- B. Cable holder..... x 1-2
- C. Plastic strap..... x 2-4
- D. Stop piece..... x 2
- E. Cable management support..... x 1
- F. Cable management angle xx1
- G. Cable management angle y.....x1
- H. Screw kit (wall screws,
plastic plugs, washers)..... x3-4 each
- I. Cable (not included)
- J. Spirit level (not included)



Cut packaging box along perforated lines

