





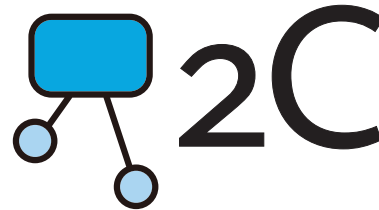
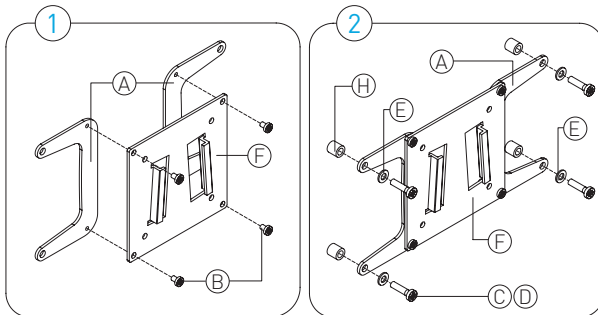
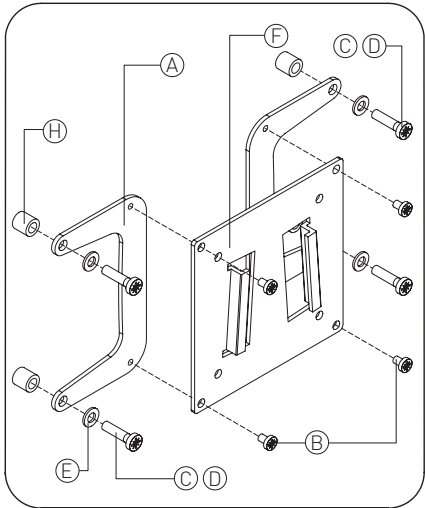


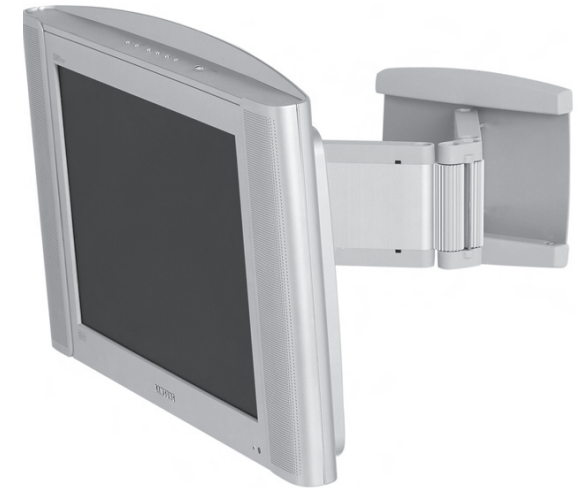
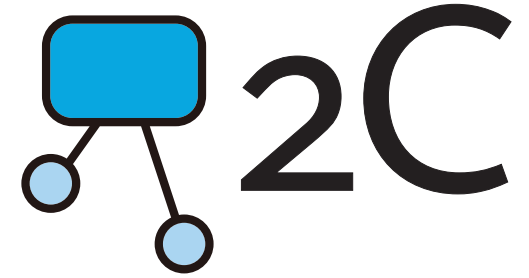
## Expander Vesa 200 x 100 Contents:

- A. Expander Vesa palte 200x100..... x 2
- B. Screw M4x6..... x 4 
- C. Screw M4x10 / M5x10..... x 4 
- D. Screw M4x20 / M5x20..... x 4 
- E. Washers..... x 4 
- F. Vesa plate..... x 1
- G. Allen key..... x 1 
- H. Dist. Washers..... x 4 



Imported and Distributed in Australia by  
Herma Technologies  
Factory 4A, 6 Albert St  
Preston, VIC 3072

For more information please go to  
[www.2cdisplays.com.au](http://www.2cdisplays.com.au)  
or call 1300 730 025



2C Panel IT  
2C810/2C811  
User Manual

Apr 2009 Version 1

## To the owner

Congratulations on purchasing a 2C Panel IT.

## Contents

- A. 2C Panel IT WL 3D arm ..... x 1
- B. Wall plate ..... x 1
- C. Male plate ..... x 1
- D. M8 socket head ..... x 4
- E. Plastic covers ..... x 2
- F. Vesa plate ..... x 1
- G. Screw kit ..... x 1
- H. Screw M5x12 ..... x 4
- I. Safety Screw ..... x 1
- J. Allen Keys ..... x 1
- K. Screen (Not included)
- L. Wall screws & washers (Not included)
- M. Screwdriver (Not included)

