

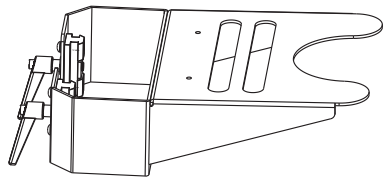
2C860TA Metal Tray

WARNING!

Injury or property damage may result from improper installation or assembly. Please read the following warnings and instructions carefully before proceeding:

- If you do not understand these instructions, have concerns or queries, please contact a qualified installer.
- Do not install or assemble if there are damaged or missing parts.
- Do not exceed maximum weight capacity of 13.6kgs/30lbs!
- Do not use this product for other than its intended purpose.
- This product has moving parts, please use with caution.
- The manufacturer disclaims any liability for modifications, improper installation or use over the specified weight range and will not be liable for any damage arising out of the misuse or inability to use the product.

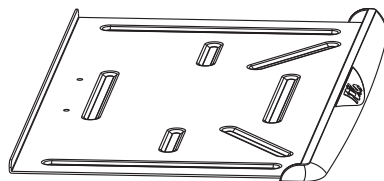
PARTS:



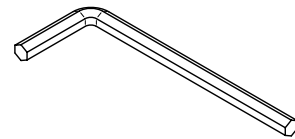
Collar



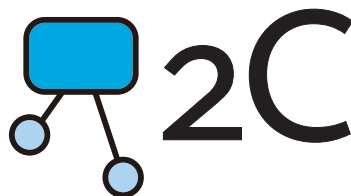
2 x 3/16 Screws



Tray



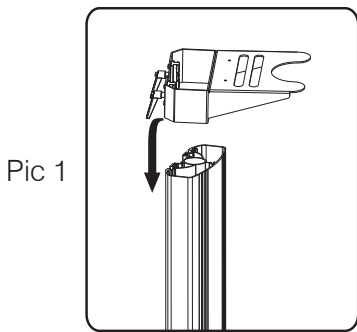
Hex Key



www.2cdisplays.com.au

2C860TA Metal Tray

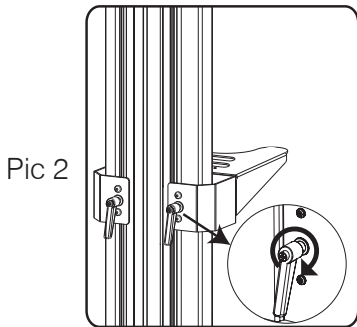
Installation instructions



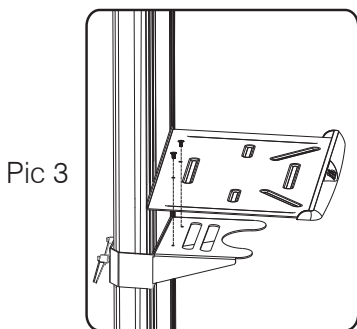
Installation -

(suitable ONLY with Panel IT - 2C861 or 2C862)

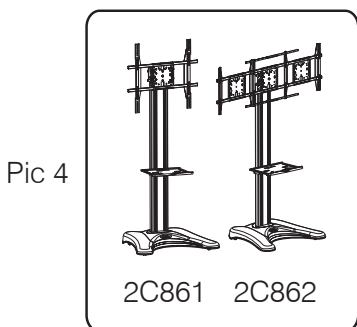
1. Slide the collar of the tray assembly over the upright insuring plastic rails line up with the tracks within in the upright, (pic 1).



2. Move the collar to the desired location on the upright and tighten the levers in the direction shown, (pic 2).



3. Secure the tray to the collar with the supplied screws, (pic 3)



Applicable Models:

Compatible only with Panel IT 2C861 and/or 2C862 only (pic 4).