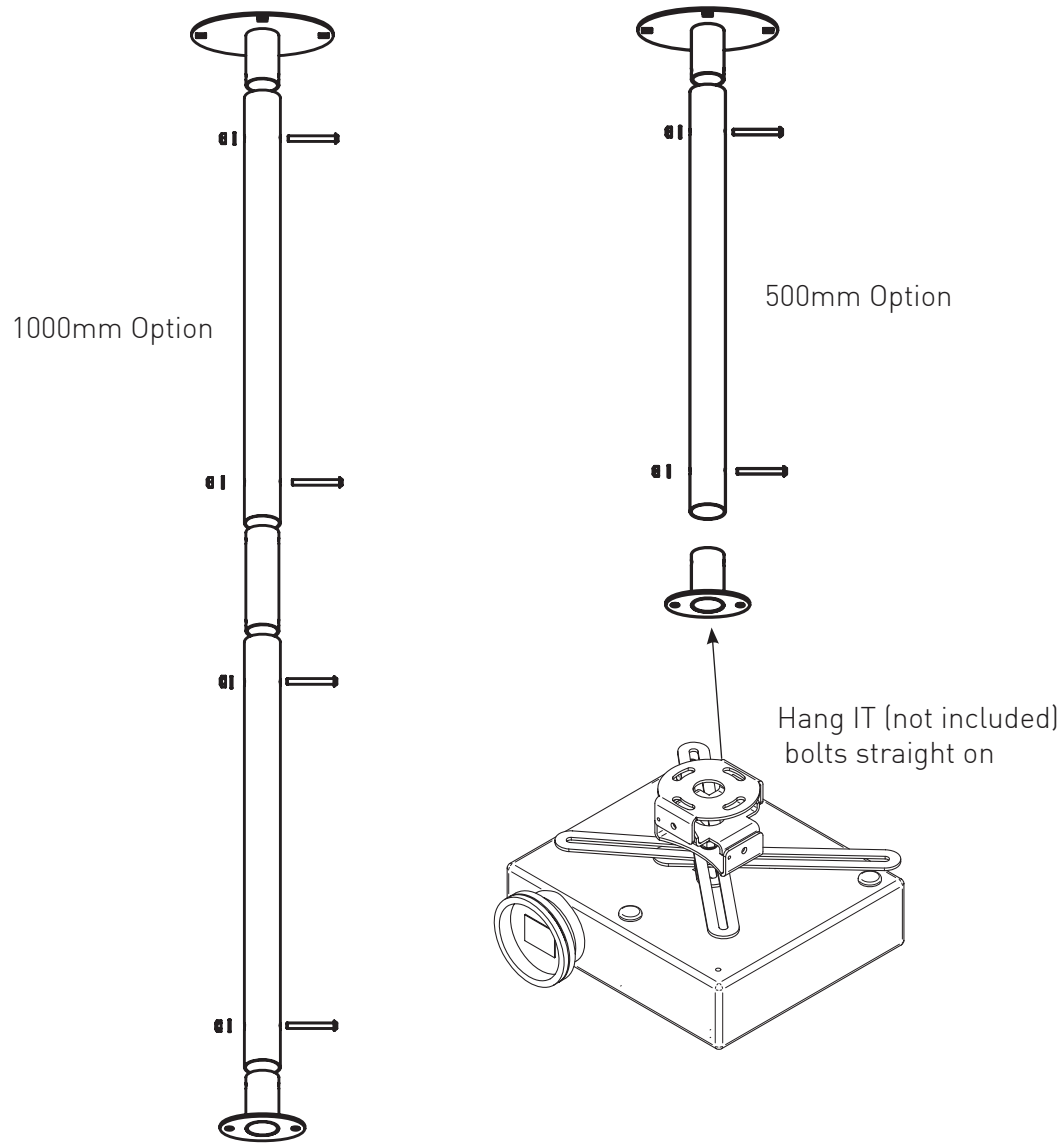


Specifications for 2C Extend IT



Product Code	Colour	Max Projector Weight	Shipping Size
2C110	Black	12 kg	510 x 125 x 75
2C111	White	12 kg	510 x 125 x 75

Features:

- Extension pole for 2C Hang IT - both 500 and 1000mm options are included
- Can be adjusted to any length - by cutting and re-drilling pole

NOTE: 2C HANG IT SOLD SEPARATELY - 2C101 (Black) or 2C102 (White)

