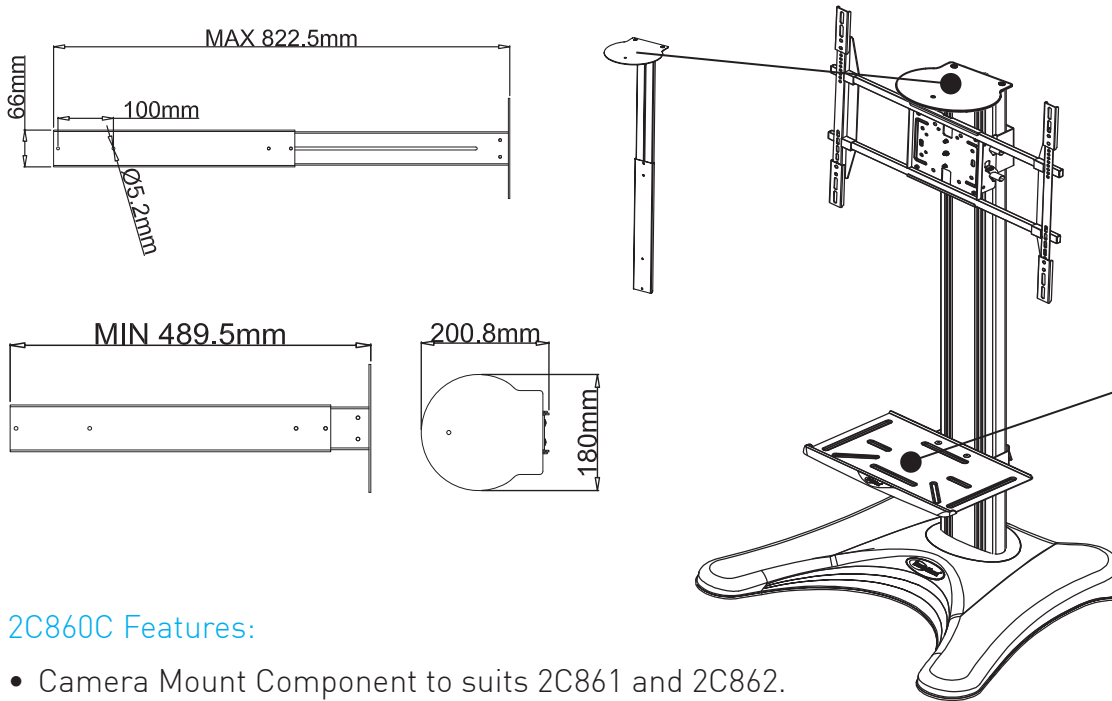


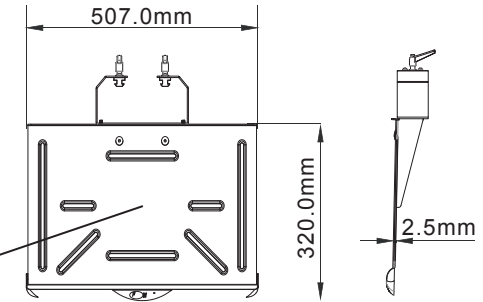
Specifications for 2C Panel IT: 2C860C & 2C860TA



2C860C
(Camera Mount)



2C860TA
(Metal Tray)



2C860C Features:

- Camera Mount Component to suits 2C861 and 2C862.
- Capacity: 6.5Kg
- Color: Black

2C860TA Features:

- Metal tray component to suits 2C861 and 2C862.
- Capacity: 13.6Kg
- Color: Black

Product Code	Packaging dimensions W x D x H (mm)	Gross Weight (kg)
2C860C	470 x 185 x 45	2.5
2C860TA	540 x 330 x 95	5