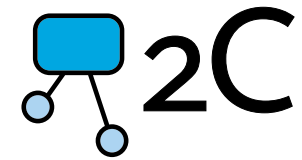
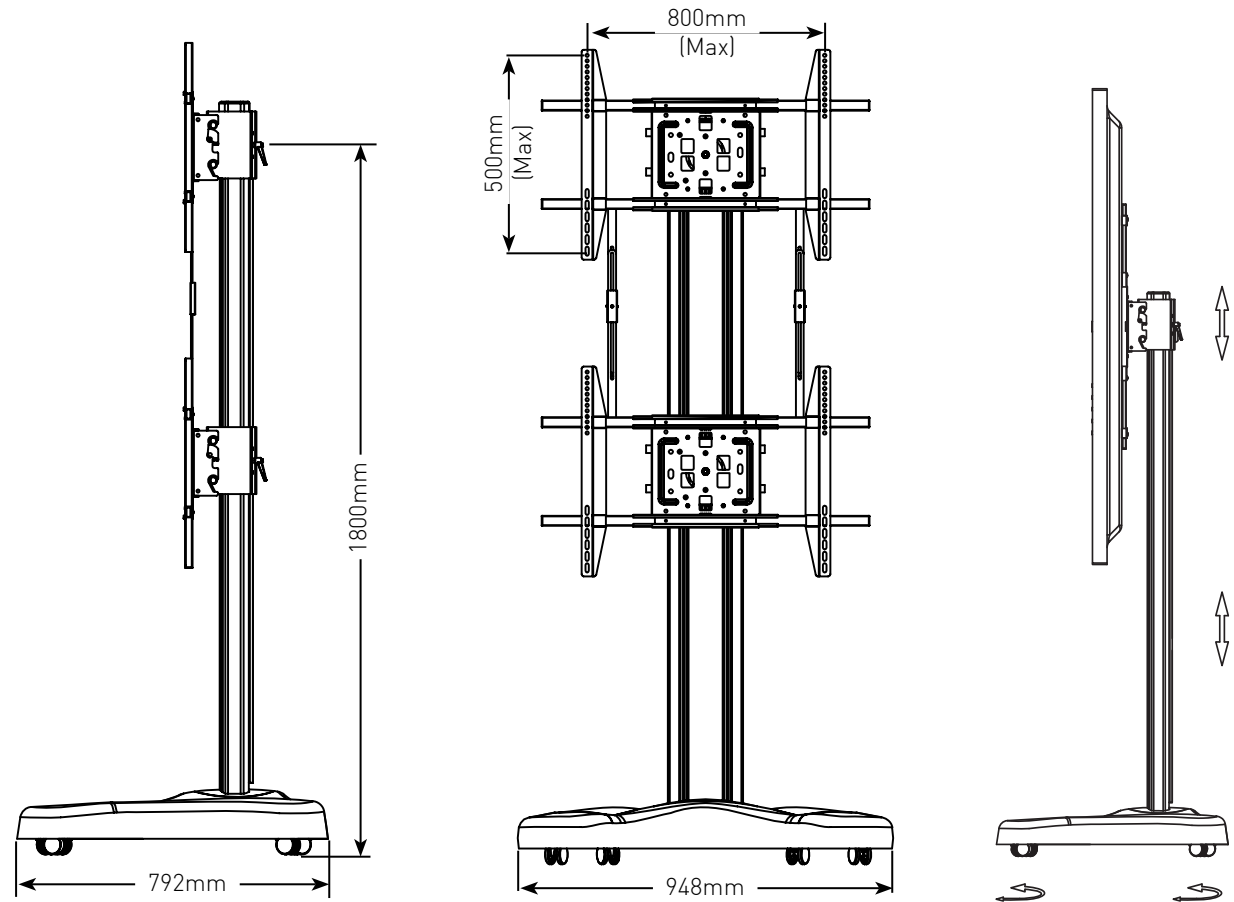


Specifications for 2C Panel IT: 2C862



Features:

- Fits most 32" - 42" flat panel Display
- VESA Compliance (All in mm):
 - 200 x 400
 - 400 x 400
 - 400 x 600
 - 400 x 800
 - 500 x 800 (max)
- Can add on 2C860T (Glass tray) and 2C860C (Camera Mount)
- With incorporated security slot
- Integrated cable management
- Mounting and installation hardware supplied
- Locking Castor type rear wheels
- Mobile - Easy 360° Flexible wheel movement
- Material: Alu Alloy/steel/Molded plastic



Product Code	Color	Max Weight Capacity (Kg)	Packaging dimensions W x D x H (mm)		Gross Weight (Kg)
2C862	Silver anodized stand with Black base	90.5	Mobile Base Packaging	1010 x 900 x 190	20.0
			Mount and Post Packaging	1900 x 355 x 200	18.5