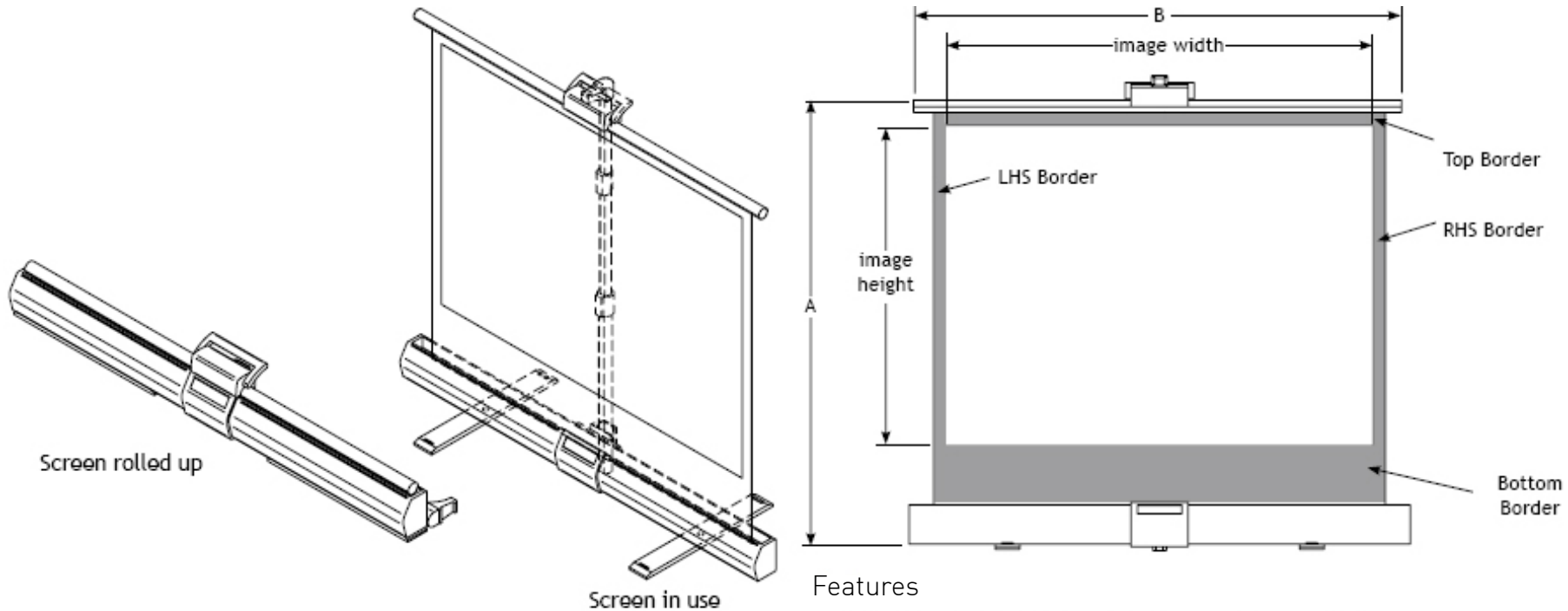
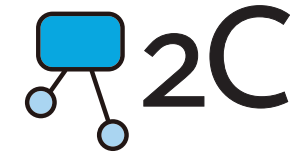


Specifications for 2C Show IT Screen



Features

- Light weight, fully portable, ergonomically designed.
- Spring loaded screen self-retractable, lockable handle.
- Swivel leg, self standing front projection display

Product Code	Diagonal Size	Aspect Ratio	Image w x h	Total Width (B)	Total Height (A)	Top Border	L/R Border	Bottom Border	Shipping Size w x h x d	Net. Weight(kg)
2C406	60"	4:3	1220 x 910	1380	1560	25	35	460	1380 x 150 x 180	4.5
2C407	80"	4:3	1630 x 1220	1790	2060	25	35	710	1800 x 150 x 180	6.0
2C408	60"	16:9	1330 x 745	1490	1715	25	35	760	1590 x 150 x 180	4.5
2C409	80"	16:9	1770 x 995	1915	2280	25	35	1055	2030 x 150 x 150	6.0

Specifications are subject to change without notice
All dimensions in mm

2C is distributed by Herma Technologies, one of the largest screen manufacturers and wholesalers in Australia.
For more information check out www.2cdisplays.com.au or call 1300 730 025